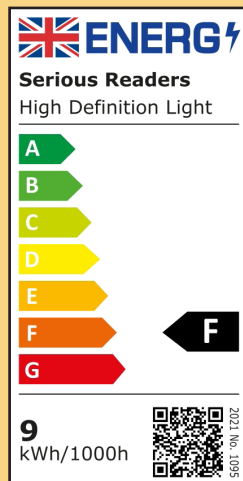


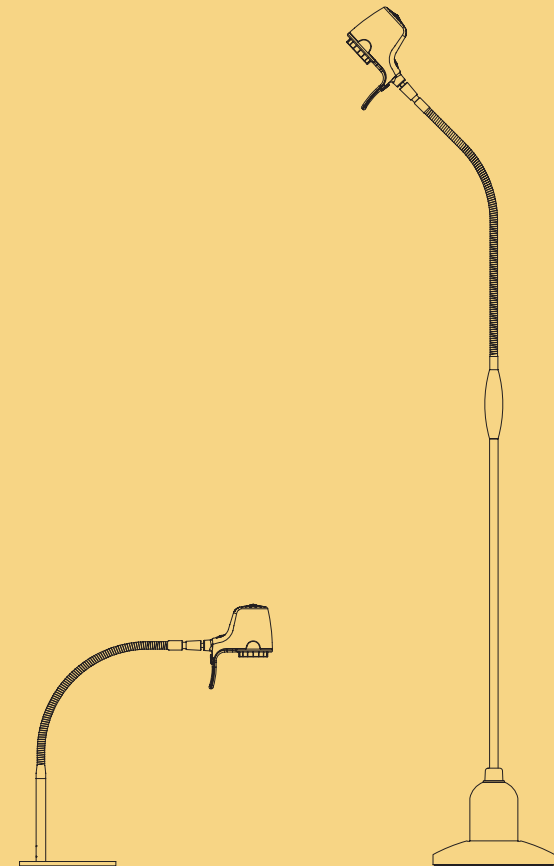
For Advice. For Help. For Repairs:
+44 (0) 1296 390 390
seriousreaders.com



15 Faraday Road, Aylesbury, Bucks,
 HP19 8RY, Great Britain



High Definition Light Original Instructions



Keep for reference



High Definition Light Original

Getting Started

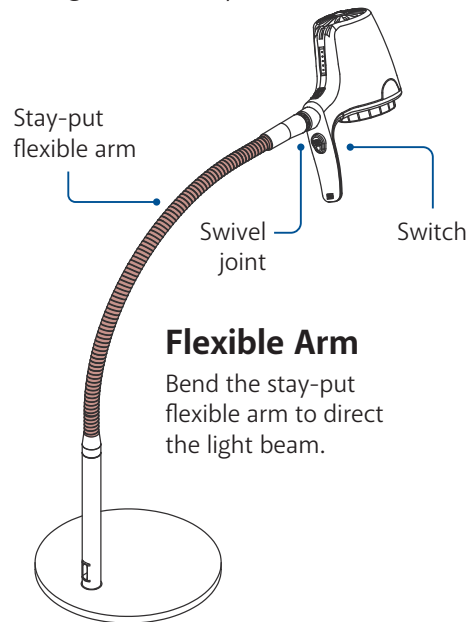
Your light is ready to plug in and use. Use the standby switch located on the handle and the dimming wheel on the lamp head.

Safety

Cord replacement Type X. Please contact us if there is any cable damage. Do not attempt a repair. Please be aware if the light head is incorrectly extended too far on the Lightweight model, there is a possibility of the light tipping over. **Indoor use only.**

Standby Mode

When on standby, the red light on the handle switch will normally be illuminated. You can turn it off by pressing and holding the switch for three seconds. To reinstate it, switch the light off and press the switch again for three seconds. It is normal to leave the light on standby when not in use.



Flexible Arm

Bend the stay-put flexible arm to direct the light beam.

Snooze Function

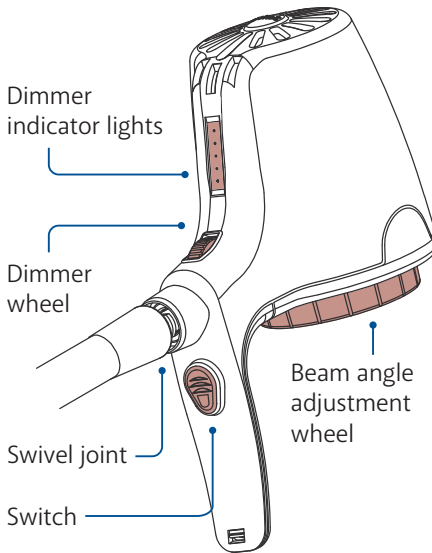
Hold the on/off switch for 4 seconds when light is on. The dimmer indicator lights will strobe for 5 seconds to confirm the snooze function is active. Your light will turn off after 30 minutes.

Dimmer

Roll the dimming wheel on the back of the lamp head. Five indicator lights show the brightness setting.

Memory

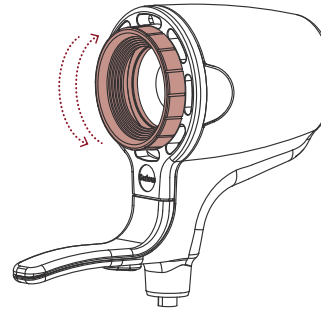
When turning the light off and back on using the standby switch or at the mains, it will remember your last setting and return to the same brightness level.



High Definition Light Original

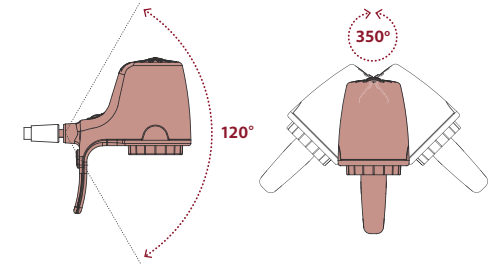
Beam Width Adjustment

The beam angle can be adjusted as required. To increase the beam width turn the beam adjustment wheel anti-clockwise with the light facing down.



Swivel Joint

For fine positioning of the light beam.

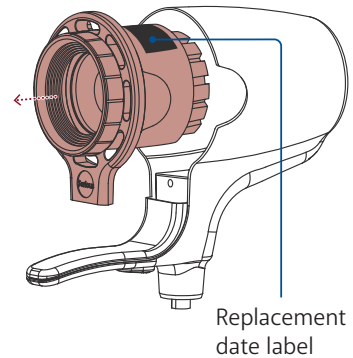


Changing the Light Engine

Disconnect from power and allow to cool. Pull the two tabs on the shade to release the magnets which hold it in place.

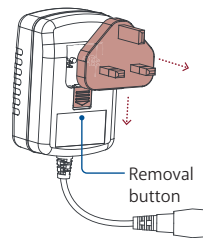
To replace the light-engine, offer it up to the body ensuring the two tabs are in line and push into the lamp head to engage the magnets. **Do not attempt to disassemble the light engine.**

We recommend that the light engine is replaced every 8 years. The recommended replacement date is recorded on the light engine.



Changing the Driver and Plug

The plug-in driver is detachable. The plug-type is also interchangeable to fit international sockets. Slide the button downwards, push the three pin plug attachment upwards to release. Click the alternative into place.



Model Shown:
Lightweight
Table.